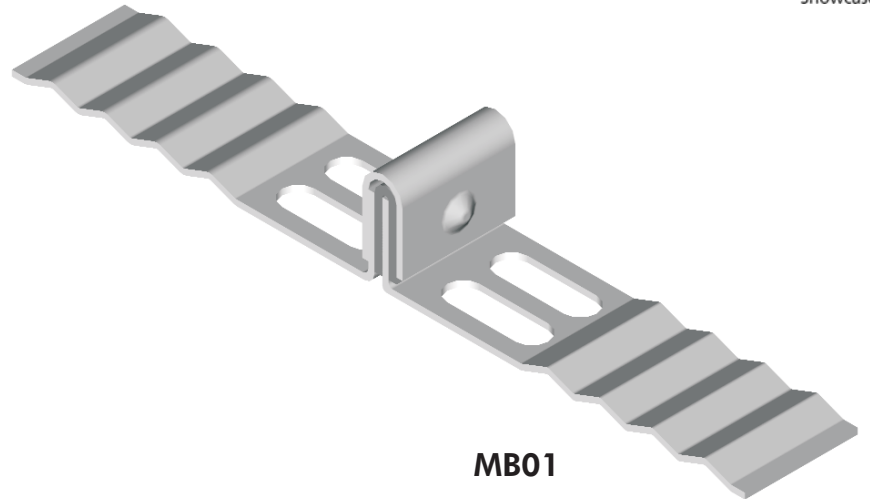
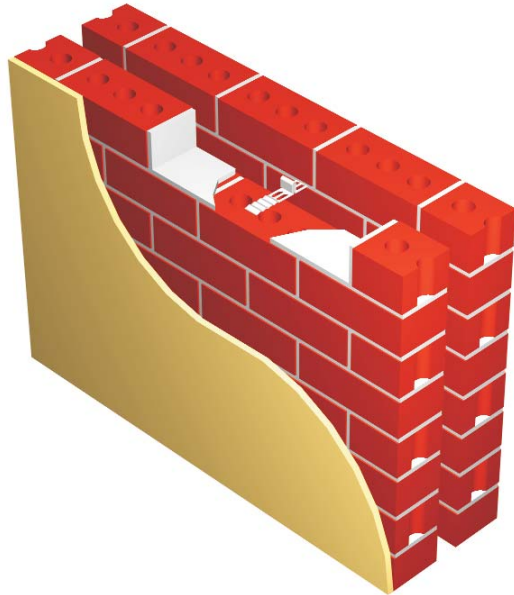


RESILIENT MASONRY WALL TIES

Airborne and impact noise reduction

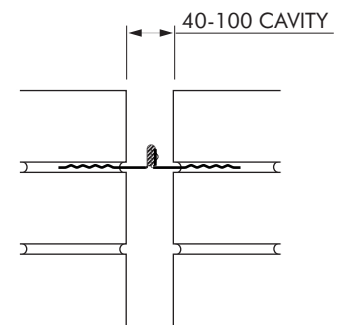
MB01 - Masonry Cavity Construction



MB01

The MB range of resilient wall ties are a structural connection that reduces airborne and impact noise passing through masonry walls. They are particularly suitable for the discontinuous construction of masonry separating walls for apartments, villas & duplexes and any specialised room that requires high acoustic isolation such as cinemas, auditoriums and recording studios.

Type:	"A"
Category Of Wall Tie:	CAVITY
Classification Of Tie:	MEDIUM DUTY
Rated Cavity Width:	50mm
Maximum Cavity Width:	100mm



Separating Walls

External Walls

Material:	1.5mm Galvanised Steel	1.5mm Stainless Steel
Durability:	R1	R4
Environment:	Internal Use Only	Coastal & Industrial

SPACING OF TIES: In general work not more than 600 x 600 (as per Masonry Code) If designed in accordance with procedure Q02947-1, Internal wall tie spacings Up to 1000 x 1000 can be achieved. (see Structural Engineer's report on web site).

www.matrixindustries.com.au

144 Oxley Island Road, Oxley Island, NSW 2430 Australia

Phone: +61 2 6553 2577 Fax: +61 2 6553 2585 Email: info@matrixindustries.com.au

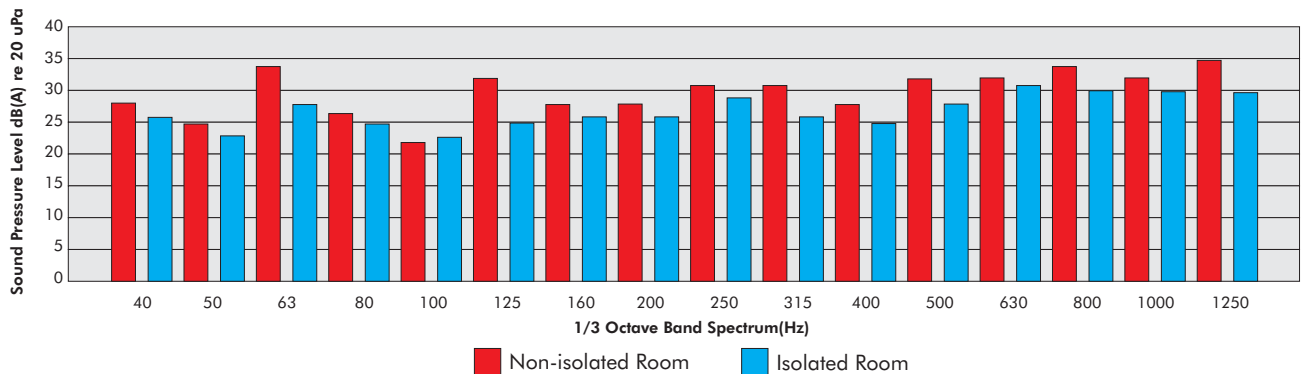
Technical Details & Specifications

STRUCTURAL PERFORMANCE

Matrix Industries MB01 wall ties comply with Australian Standard 2699.1:2000 "Wall Ties" and AS3700:2001 "Masonry Structures". They are capable of transferring structural lateral forces (e.g. wind loads) from one masonry leaf to the other (CSIRO Test CZS6BTS3246). They are classified as a medium duty cavity tie with a minimum characteristics strength of 400 Newtons (N) in tension and 480 N in compression. MB01 ties can accept 10mm differential movement between the inner and outer leaves in both the transverse and vertical directions without loss of strength.

NOISE REDUCTION

MB01 resilient wall ties were assessed in field tests comparing identical isolated and non-isolated rooms within the same building. The acoustic consultant's report stated, "The vibration isolation incorporated into the building is working satisfactorily, reducing vibration and structure borne noise within the rooms. The measured difference between non-isolated [46dB(A)] and the isolated rooms [37dB(A)] is 9db(A)."



DISCONTINUOUS CONSTRUCTION

Where a wall in a building is required to have an impact sound insulation rating under the requirements of the Building Code of Australia (BCA), such as between a bathroom, sanitary compartment, laundry or kitchen and a habitable room (other than a kitchen) in an adjoining building or unit, then for an acceptable masonry wall system, the ties are to be Matrix Industries MB01 resilient wall ties and the wall will be deemed comply. Two leaves of 110mm clay brick masonry, min 50mm cavity, Matrix Industries MB01 resilient wall ties and either 50mm cavity insulation or 13mm cement render to each outside face will achieve $R_w + C_{tr}$ not less than 50 and discontinuous construction.

MATRIX PRODUCT RANGE

See web site for details

